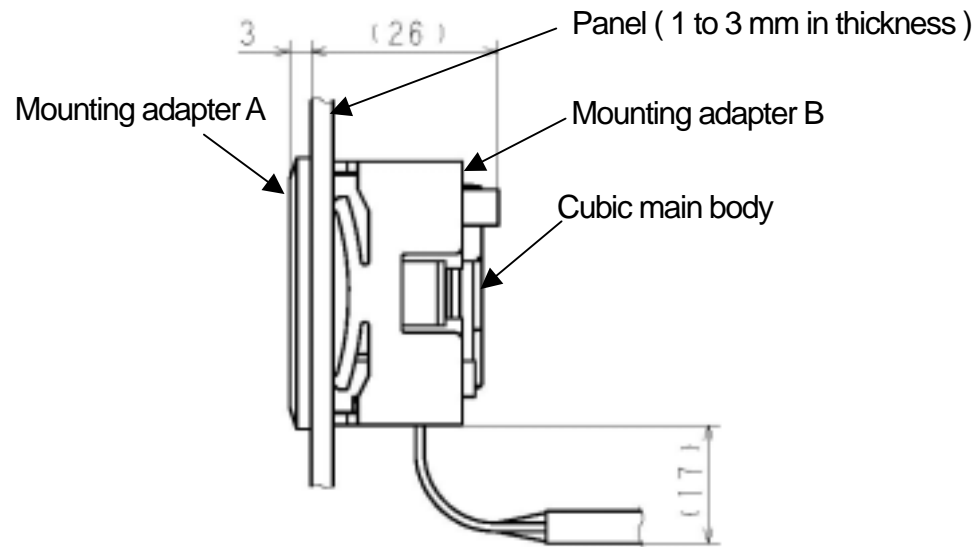


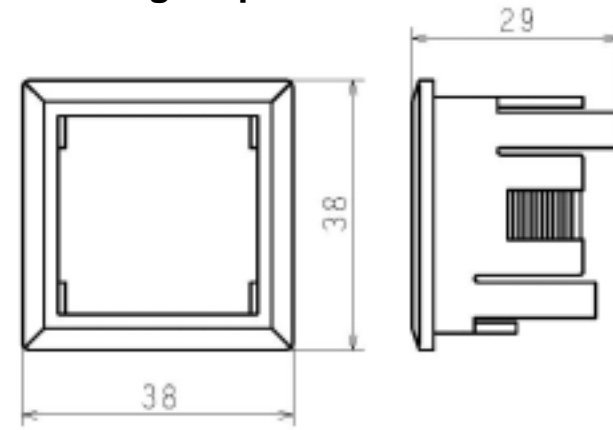
Explanation for mounting adapter (Options)

1. To begin with

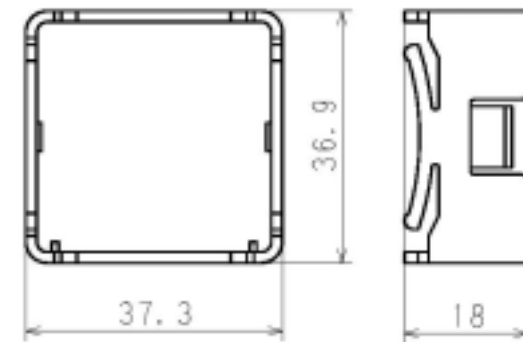
Assemble drawing



Mounting adapter A



Mounting adapter B



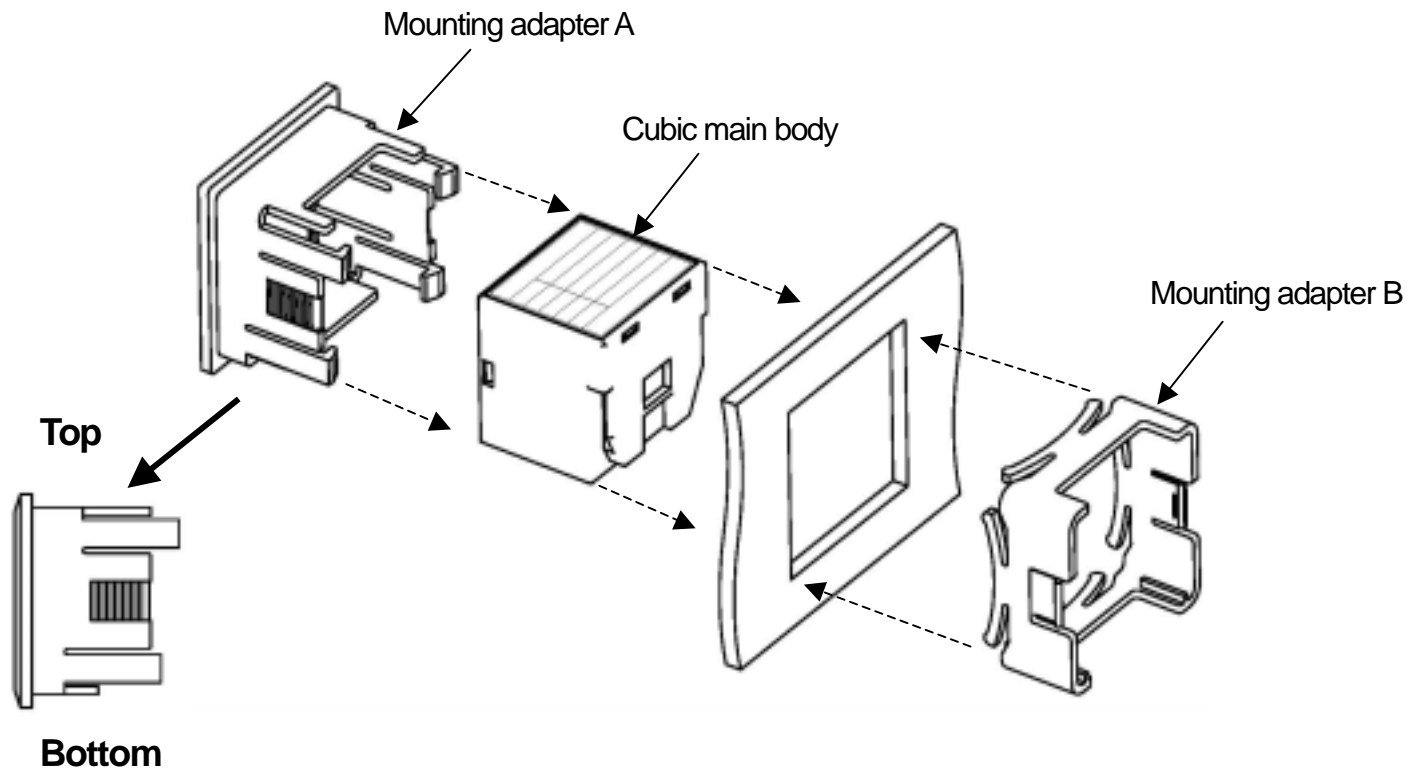
2. How to mount

Insert the mounting adapter in the direction as shown below into the Cubic main body.

Insert it into the panel cut-out.

Push the mounting adapter B into the place until it clicks and stops.

Connect connector and cable, etc..



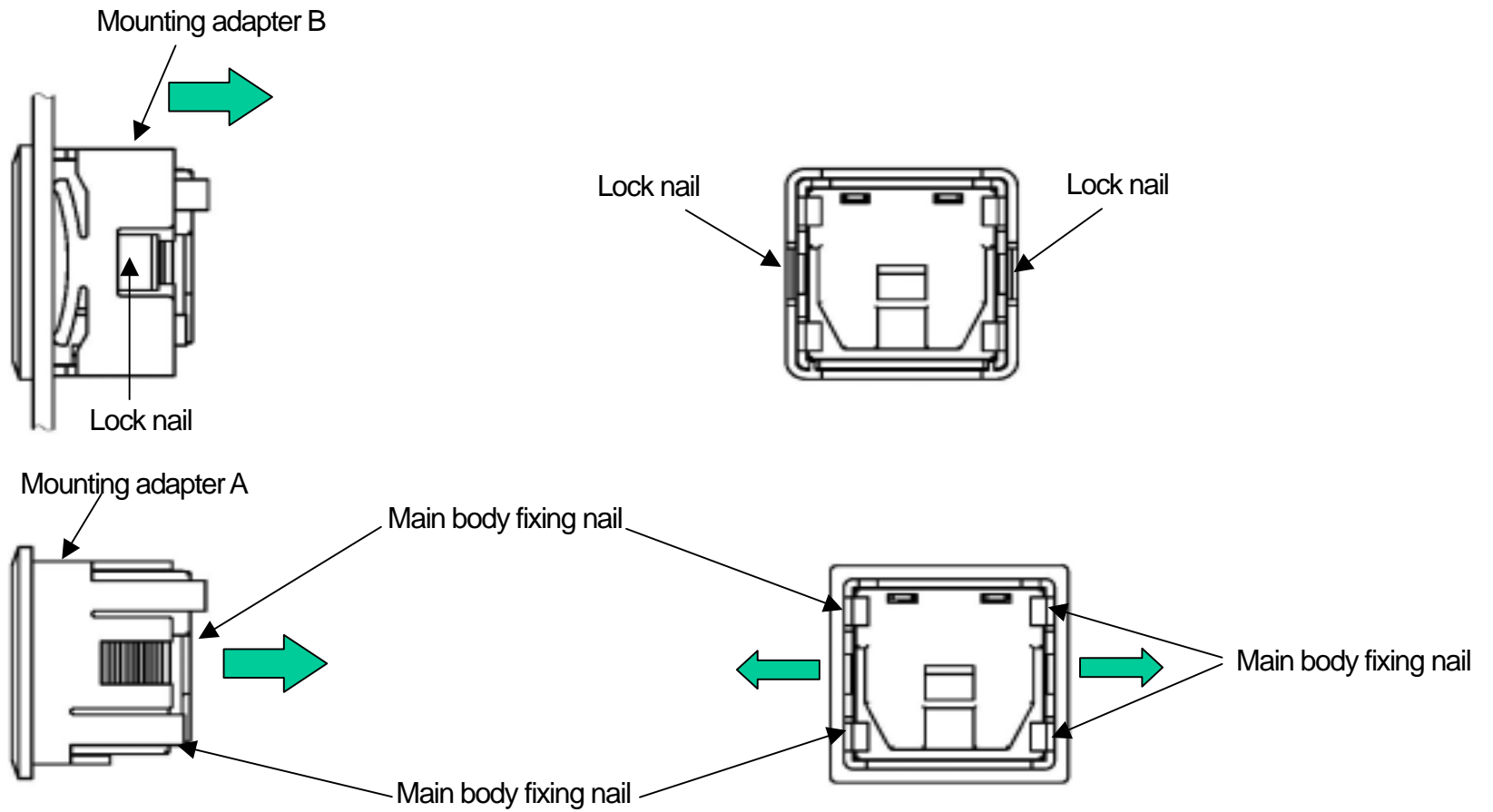
3. How to dismount

Remove the connector cable, etc.

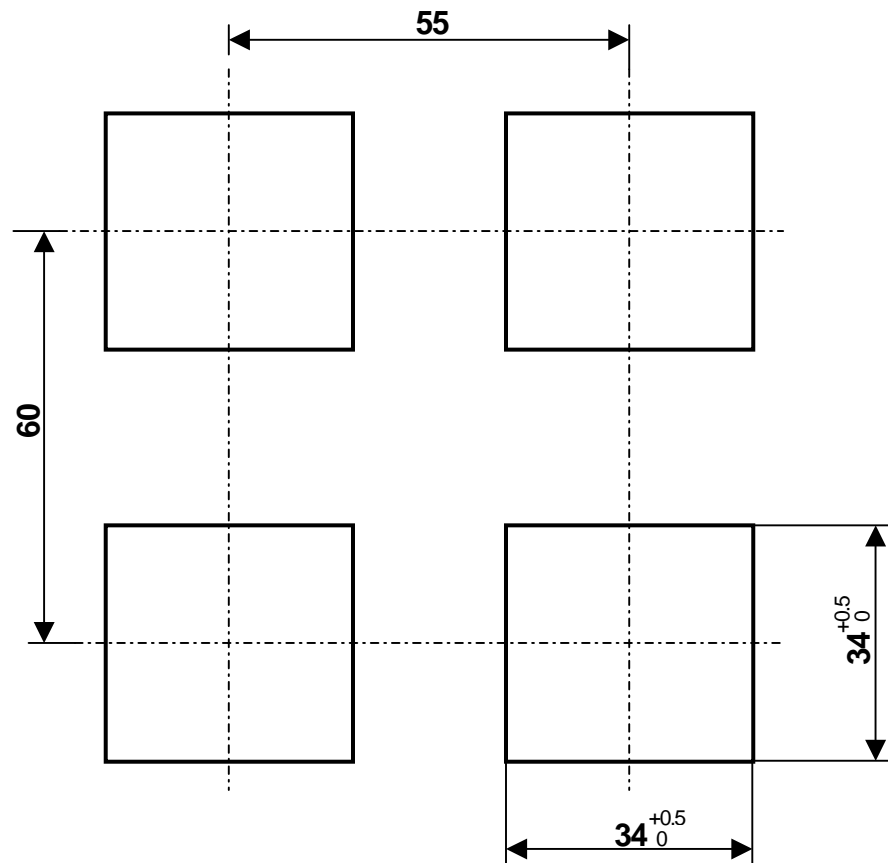
Expand the lock nail of the mounting adapter B and pull out the mounting adapter B to the arrowhead direction.

Extend the main body fixing nail of the mounting adapter A to the arrowhead direction.

As left the lock nail to be in a state of , pull out the Cubic main body to the arrowhead direction.



Panel cutout dimensions



Panel depth

