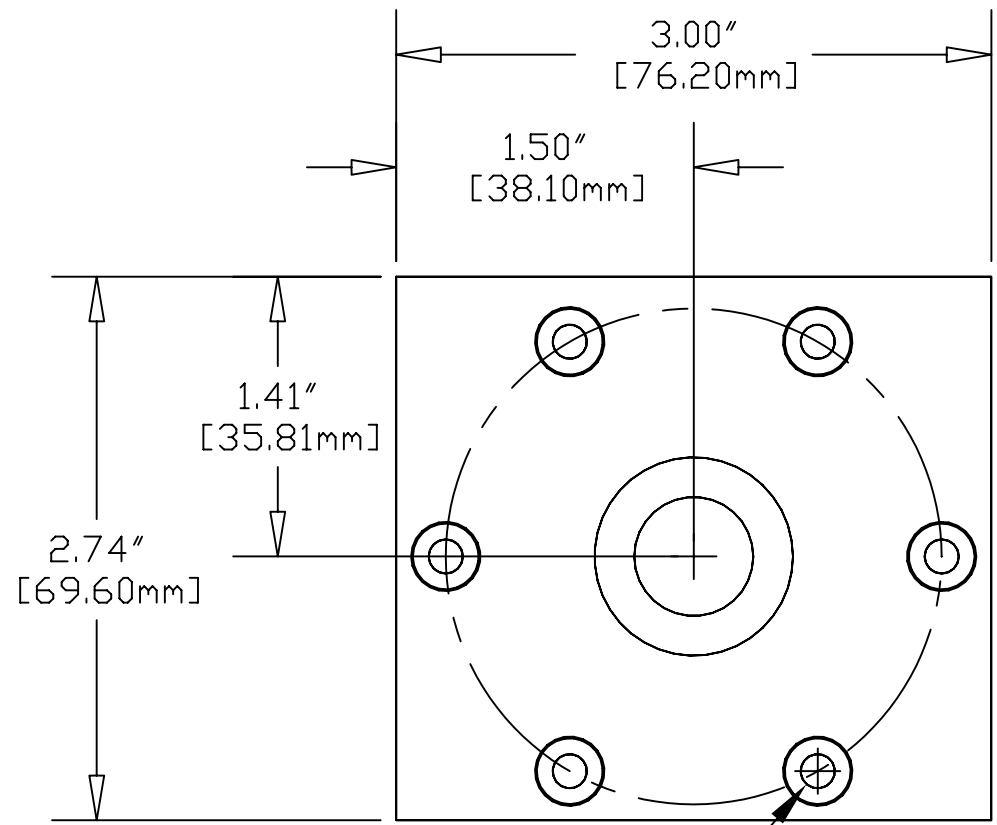
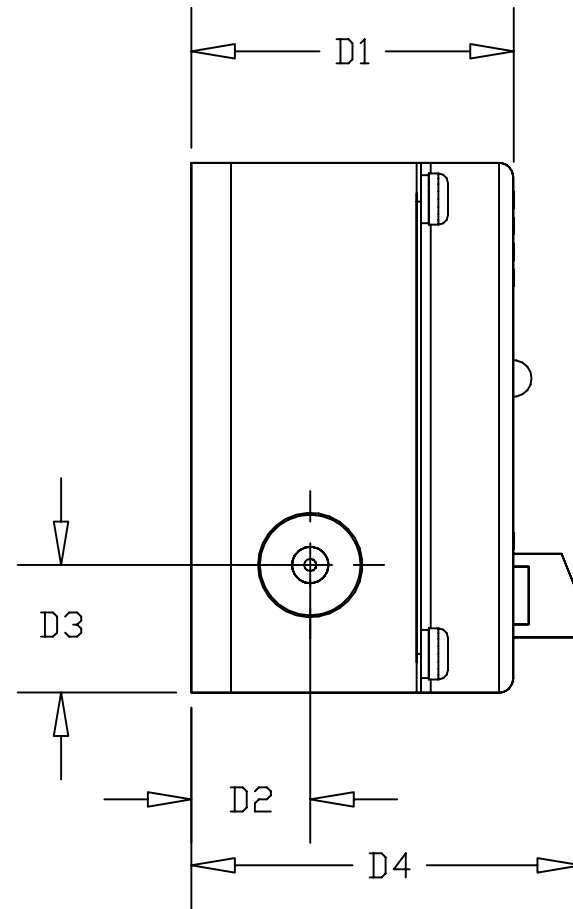


FRONT

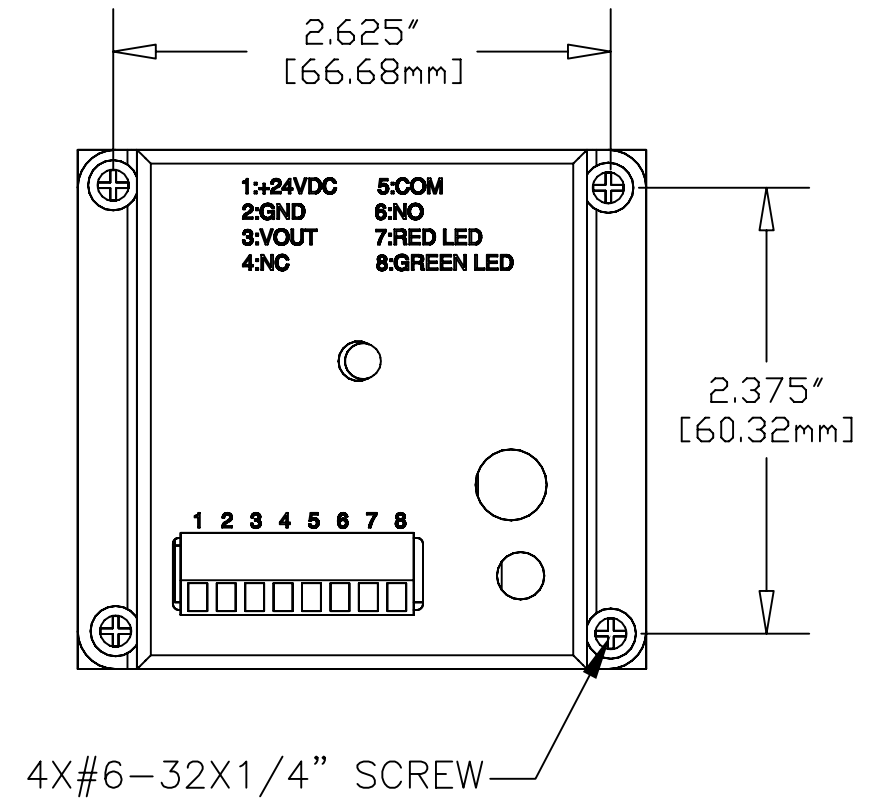


6X#8-32X3/8" SCREW
EQ. SPACED ON
A 2.50" DIA B.C.

SIDE



BACK



MODEL	D1	D2	D3	D4
0804BN03	1.67"	0.62"	0.66"	2.02"
0804BN2	(42.41mm)	(15.74mm)	(16.76mm)	(51.30mm)
0804BN4				
0806BN10				
0804SN03				
0804SN2				
0804SN4				
0806SA4				
0806SN10				
0804PN03				
0804PN2				
0804PN4				
0806PN10	1.67"	0.63"	0.66"	2.02"
	(42.41mm)	(16mm)	(16.76mm)	(51.30mm)
0808PN15	2.06"	0.89"	0.66"	2.41"
	(52.32mm)	(22.60mm)	(16.76mm)	(61.21mm)
0808BN15	1.77"	0.69"	0.66"	2.12"
0808SA10	(44.95mm)	(17.52mm)	(16.76mm)	(53.84mm)
0808SN15				

NOTICE

THIS DOCUMENT IS THE PROPERTY OF PROTEUS INDUSTRIES INC. AND IS LOANED SUBJECT TO THE CONDITION THAT IT SHALL NOT BE REPRODUCED, COPIED OR LOANED OR SUBMITTED TO OTHER PARTIES WITHOUT OUR CONSENT.



Proteus Industries Inc.

Mountain View, CA