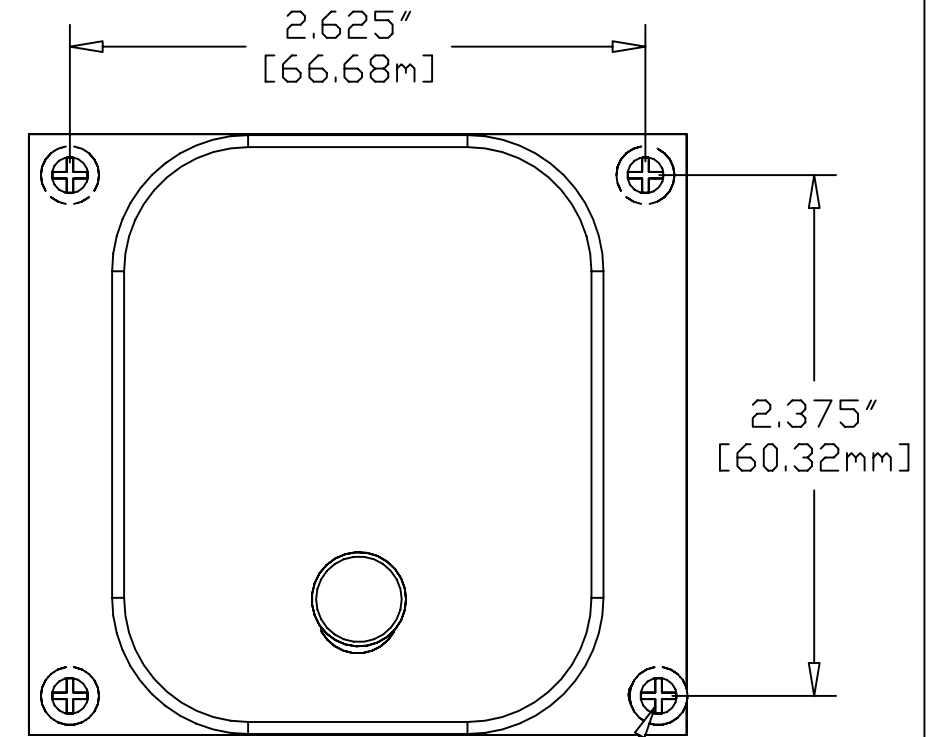
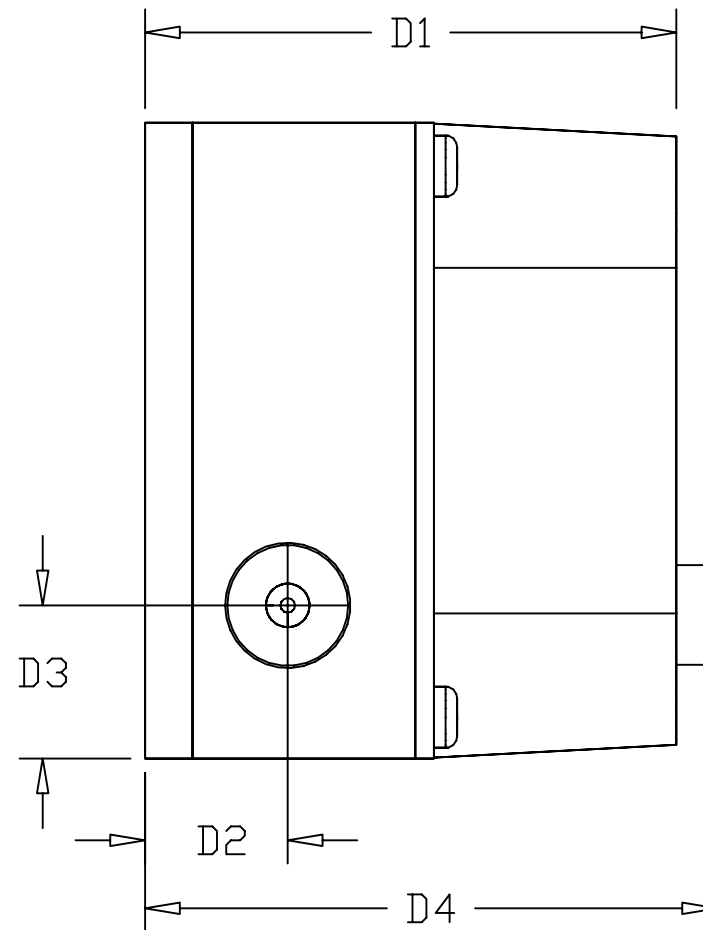


6X#8-32X3/8" SCREW  
EQ. SPACED ON  
A 2.50" DIA B.C.



4x#6-32x1/4" SCREW

MODEL	D1	D2	D3	D4
06004BN06 06004SN4 06004BN1 06006SN9 06004BN2 06006SA2 06004BN4 06006SA4 06004BN9 06004PN08 06004SN06 06004PN1 06004SN1 06004PN2 06004SN2 06004PN4	2.29" [58.17mm]	0.62" [15.75mm]	0.66" [16.76mm]	2.47" [62.74mm]
06006PN10	2.29" [58.17mm]	0.63" [16mm]	0.66" [16.76mm]	2.47" [62.74mm]
06008BN14 06008SN14 06008SA10	2.39" [60.70mm]	0.68" [17.27mm]	0.66" [16.76mm]	2.57" [65.27mm]
06012BN16 06012SN16 06012BN40 06012SN40	2.68" [68.07mm]	0.80" [20.32mm]	0.66" [16.76mm]	2.86" [72.64mm]
06012SA16 06012PN19	2.68" [68.07mm]	0.87" [22.1mm]	0.66" [16.76mm]	2.86" [72.64mm]

FOR REFERENCE ONLY

NOTICE  
THIS DOCUMENT IS THE PROPERTY  
OF PROTEUS INDUSTRIES INC.  
AND IS LOANED SUBJECT TO THE  
CONDITION THAT IT SHALL NOT BE  
REPRODUCED, COPIED OR LOANED  
OR SUBMITTED TO OTHER PARTIES  
WITHOUT OUR CONSENT.

 Proteus Industries Inc.  
Mountain View, CA