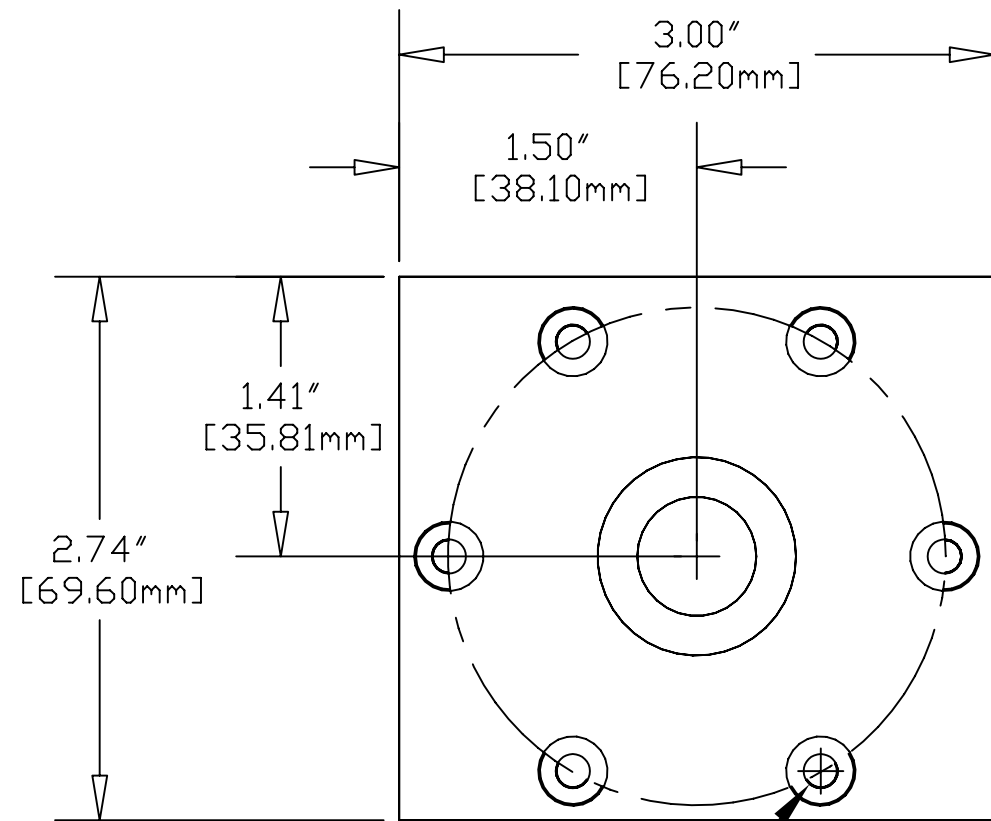
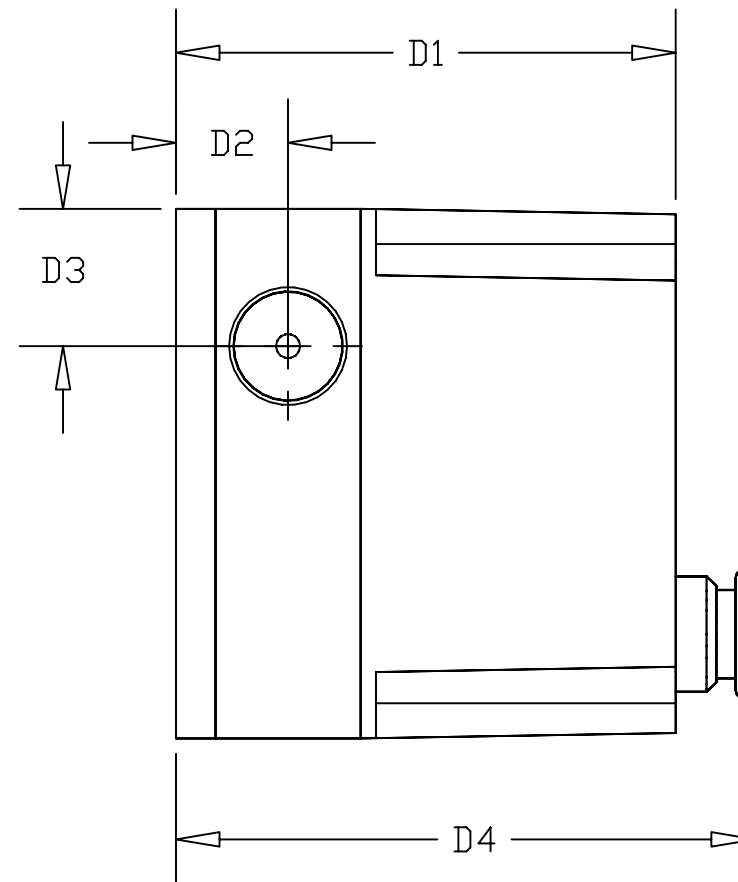


FRONT

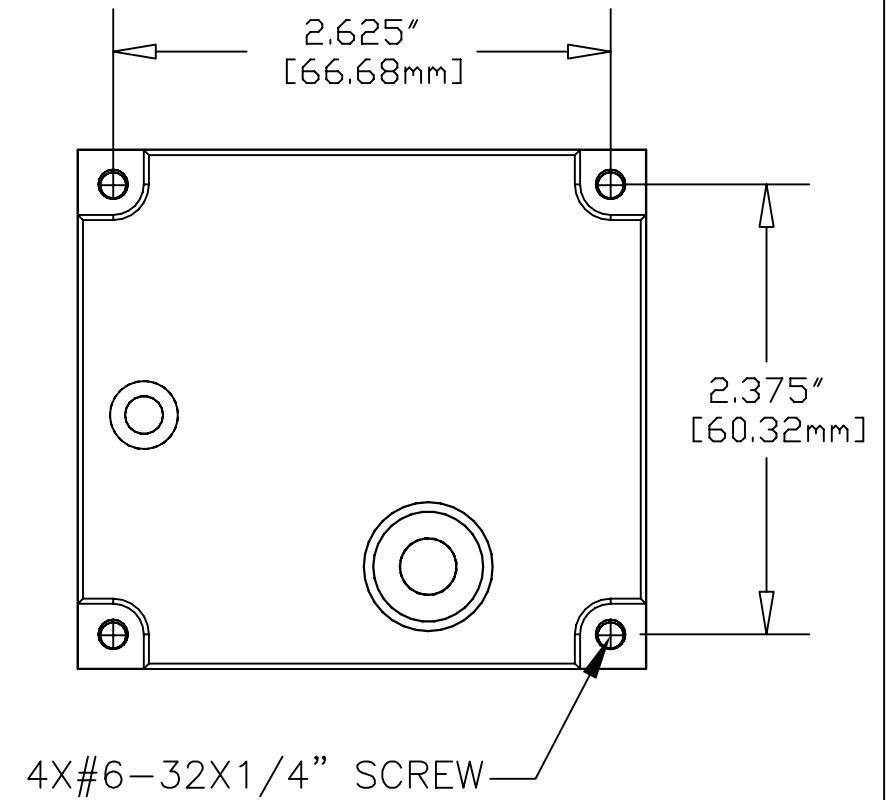


6X#8-32X3/8" SCREW
EQ. SPACED ON
A 2.50" DIA B.C.

SIDE



BACK



MODEL	D1	D2	D3	D4
0101P24	2.59"	0.58"	0.71"	3"
0101SSA24	(65.78mm)	(14.73mm)	(18.03mm)	(76.2mm)

NOTICE

THIS DOCUMENT IS THE PROPERTY OF PROTEUS INDUSTRIES INC. AND IS LOANED SUBJECT TO THE CONDITION THAT IT SHALL NOT BE REPRODUCED, COPIED OR LOANED OR SUBMITTED TO OTHER PARTIES WITHOUT OUR CONSENT.



Proteus Industries Inc.
Mountain View, CA