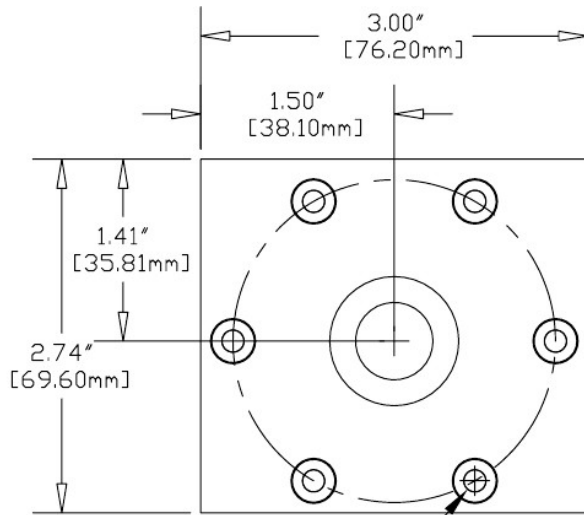
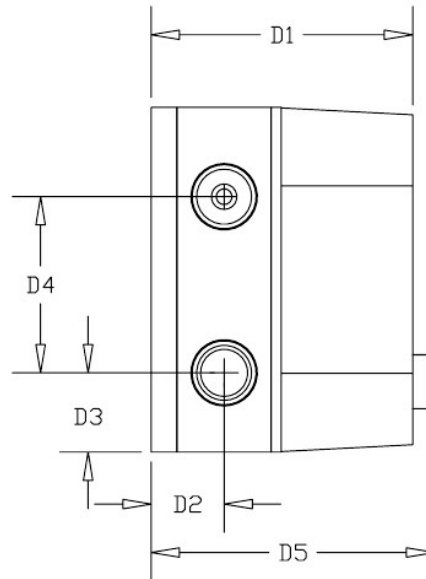


FRONT

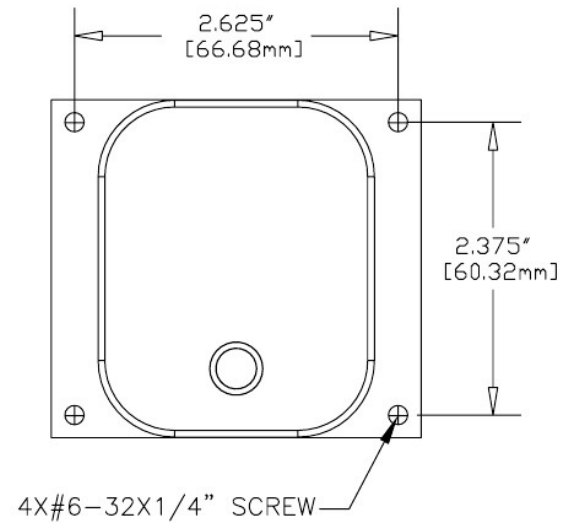


6X#8-32X3/8" SCREW
EQ. SPACED IN
A 2.50" DIA B.C.

SIDE



BACK



MODEL	D1	D2	D3	D4	D5
0100BSP	2.08"	0.58"	0.63"	1.40"	2.26"
0100SSSP	(52.83mm)	(14.73mm)	(16mm)	(35.56mm)	(57.4mm)
0100CSP	2.21"	0.62"	0.63"	1.39"	2.39"
0100LSP	(56.13mm)	(15.74mm)	(16mm)	(35.30mm)	(60.70mm)

FOR REFERENCE ONLY

NOTICE
THIS DOCUMENT IS THE PROPERTY
OF PROTEUS INDUSTRIES INC.
AND IS LOANED SUBJECT TO THE
CONDITION THAT IT SHALL NOT BE
REPRODUCED, COPIED OR LOANED
OR SUBMITTED TO OTHER PARTIES
WITHOUT OUR CONSENT.



Proteus Industries Inc.
Mountain View, CA